

## S-SERIES

270ps [199kW] per ISO 8665



Our Piezo controlled common rail injection system delivers 270PS and 57.6kg-m torque from the 3.0 liter V6 CRDi engine. The advanced design also makes it ultralight, quiet and fuel-efficient with extremely compact dimensions.

### Durability and Reliability

The use of Compacted Graphite Iron (CGI) for the cylinder block gives Hyundai SeasAll engines several advantages. The CGI block is lighter and quieter than conventional grey cast iron and demonstrates at least 85 percent higher tensile strength, 45 percent higher stiffness and approximately double the fatigue strength of iron and aluminum. It lasts longer than even we ever expected. This technology is a prime example of the innovation and improvement we bring to the marine engine industry. With Hyundai SeasAll, you are on the cutting edge.

### Technical Descriptions

#### Engine

- Compacted Graphite Iron (CGI) cylinder block
- Aluminum head
- Nine balance weight crankshaft
- Oil cooled pistons
- V6, 24-valve DOHC
- Hydraulic lash adjusters
- Integrated water jacket
- Low noise duplex timing chain
- Hydraulic timing chain tensioner
- Single serpentine belt system
- Drive belt auto-tensioner

#### Engine Mounting

- Adjustable engine mounts

#### Lubrication System

- Easily exchangeable oil filter cartridge
- Electric oil extraction pump
- Seawater cooled transmission oil cooler
- Chain drive engine oil pump

#### Fuel System

- Common rail direct injection (CRDi)
  - 1,800 bar new generation Piezo injectors
- Fuel filter with sensor detecting water in fuel
- Electric low pressure pump
- Dual pressure control valve
- High pressure fuel pumps

#### Electrical System

- 12 volt system and 150A alternator
- Auxiliary engine stop button
- Glow plugs for a trouble-free cold start
- NMEA2000 Converter (Optional)
- 2 Pole system (Optional)
- Electronic control system (Optional)

#### Cooling System

- Seawater pump driven directly from the camshaft
- Seawater cooled intercooler, heat exchanger
- Auxiliary connector for cabin heating
- Corrosion resistant material for seawater circuit

#### Engine Operating Indicator (EOI)

- Engine self protection and diagnosis
- Displays CAN information
- Displays engine diagnostic error codes
- Audible alarm and control lamps

#### Air Inlet system

- Oil wetted and reusable air filter
- Crankcase gas vented into the air inlet
- Intake silencer (Optional)

#### Exhaust System

- Engine coolant cooled exhaust manifold
- Seawater cooled exhaust elbow
- Seawater cooled Hi-Riser (Optional)

#### Turbocharger

- E-VGT, Electronic Variable Geometry Turbo

#### Emissions

- US EPA Tier-III
- IMO Tier-II compliant

### Scope of Supply

#### 1. RATINGS

S4	SPECIAL PLEASURE DUTY SPECIAL LIGHT DUTY COMMERCIAL
S5	PLEASURE DUTY

#### 2. GAUGES

Key switch assembly, tachometer

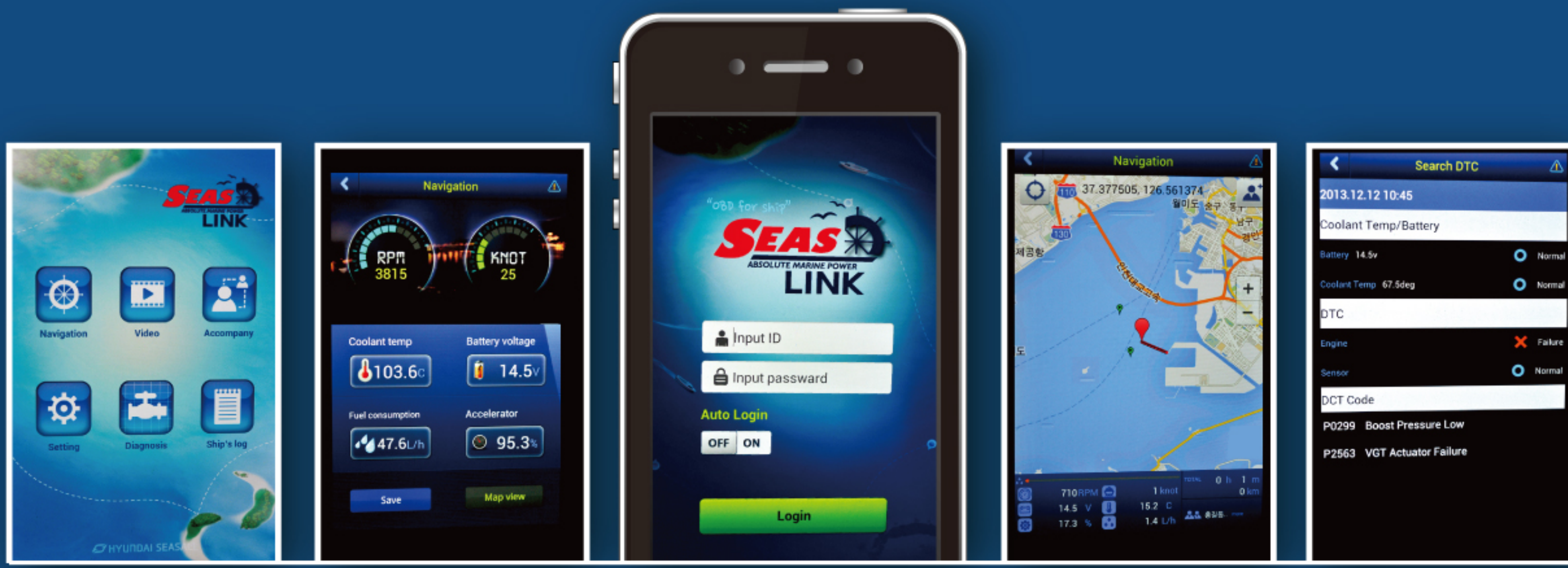
\* Factory-installed option,

\*\* Standard or optional depending on market.

		RATINGS 1	OPERATION MANUAL	EOI (Engine Operation Indicator)	SeasAll Link	GAUGES 2	COUPLER	ENGINE OIL EXTRACTION PUMP	SEA WATER PUMP *	POWER-STEERING PUMP *	BEARING HOUSING PUMP *	EXHAUST HOUSING ASSEMBLY *	EXHAUST ELBOW (WATER COOLED)	EXHAUST PIPE (FOR-STERNDRIVE)	TWO-POLE HI-RISER *	INSULATED SYSTEM *	NMEA2000 CONVERTER	ELEC. CONTROL SYSTEM	STEERING WHEEL	MECH. CONTROL LEVER	MECH. CONTROL CABLE	SAFETY STOP SWITCH	HELM+90° BEZEL+CABLE	ALU PROP	SS-PROP	HYDRAULIC STEERING SYSTEM
S270S	S5,S4	●	●	○	●	●	●	●	-	●	●	○	○	○	○	○	○	○	○	○	○	○	○	○	○	
S270S-BRAVO 1X, 2X, 3X	S5,S4	●	●	○	●	●	●	●	-	●	●	○	○	○	○	○	○	○	○	○	○	○	○	○	○	
S270P	S5,S4	●	●	○	●	●	●	○	-	●	-	○	○	○	○	○	○	○	○	○	○	-	-	-	-	
S270P-ZF68A	S5,S4	●	●	○	●	●	●	-	-	●	-	○	○	○	○	○	○	○	○	○	○	-	-	-	-	
S270J	S5,S4	●	●	○	●	●	○	○	○	●	-	○	○	○	○	○	○	○	○	○	○	○	-	-	-	
S270J-ZF63C	S5,S4	●	●	○	●	●	●	-	-	●	-	○	○	○	○	○	○	○	○	○	○	○	-	-	-	

● : Standard / ○ : Option / - : N/A / S = Sterndrive / P = Propeller Shaft / J = Waterjet





## SEAS LINK

ABSOLUTE MARINE POWER

### ON THE SMARTER PHONE

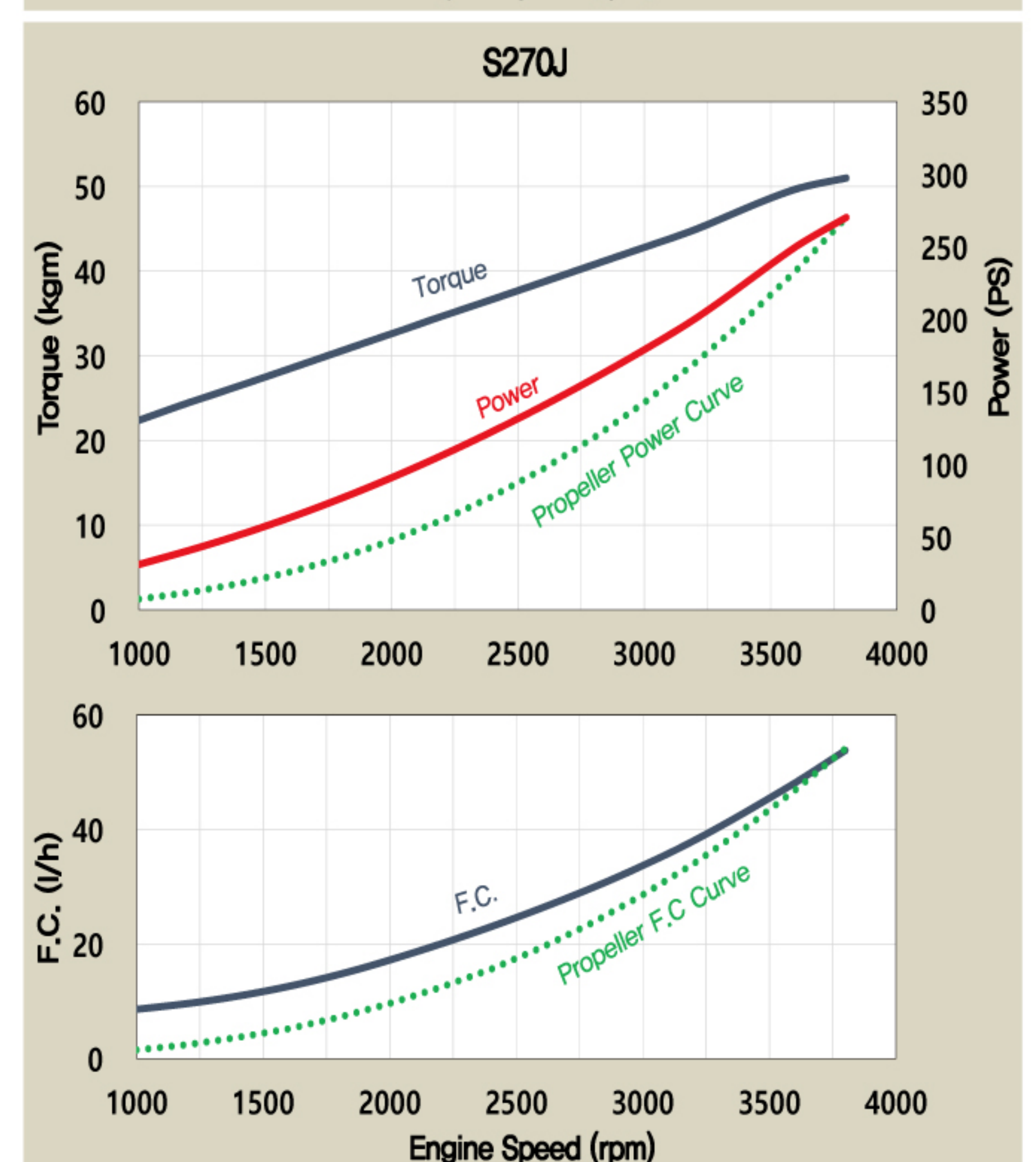
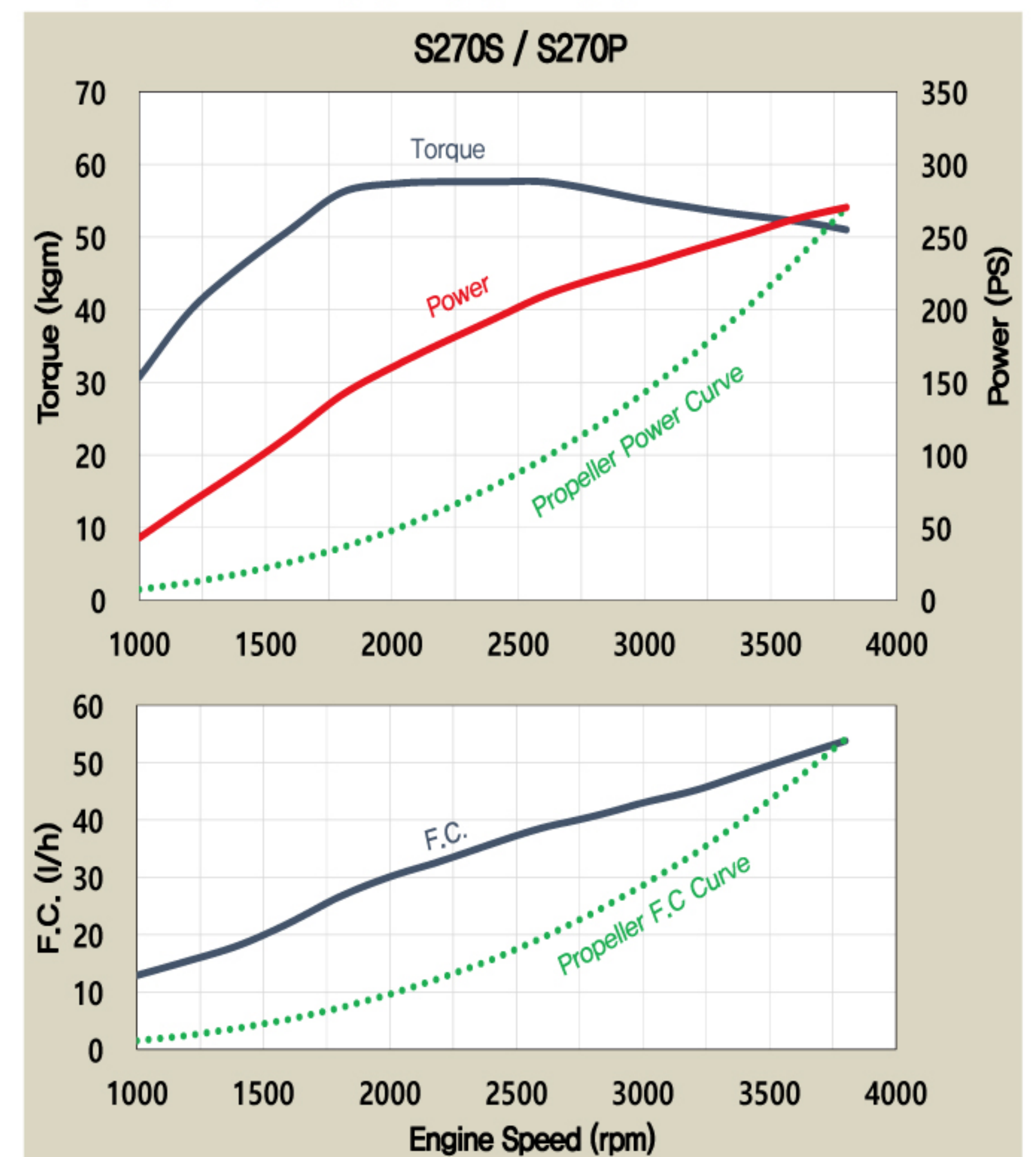
- Displays Engine Information
- Displays Boat Track on the Map
- Monthly User's Log Information
- Engine Diagnostic Functions
- Audible Warning Alarm and Visual Pop-up Screen



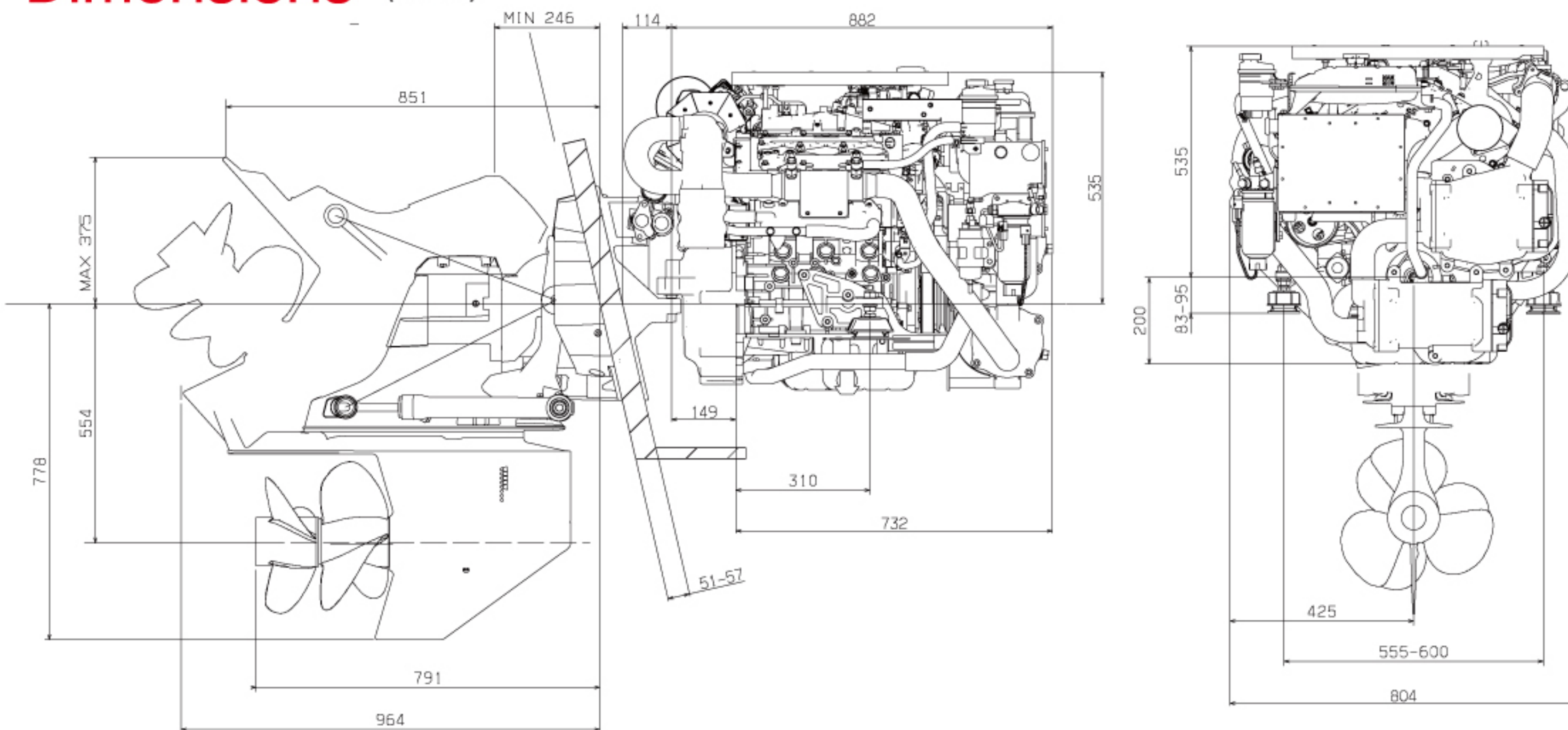
## Specifications

Engine Type	S270S	S270P	S270J
Propulsion System	Sterndrive	Shaftdrive	Waterjet
Engine Duty Rating	Special Light Commercial (S4)/Pleasure Duty (S5)		
Configuration	4-Stroke, 24-Valve DOHC, E-VGT with Intercooler, Fresh Water Cooling		
Output [PS (kW)]	270 (199)		
Rated RPM	3,800		
Cylinders	V6		
Displacement [cc]	2,959		
Bore X Stroke [mm]	84 X 89		
Compression Ratio	17.5 : 1		
Max. Torque @ rpm	57.6 kg-m @ 2,000		51.0 kg-m @ 3,800
Injection System	Common Rail Direct injection (CRDi) - Piezo Injector		
Alternator	12V-150A		
Engine Diagnostics	YES		
Max Fuel Consump. [l/h]	53.8		
Dry Weight [kg]	334		
Flywheel	Hyundai Unique		
Flywheel Housing	BorgWarner Flange		

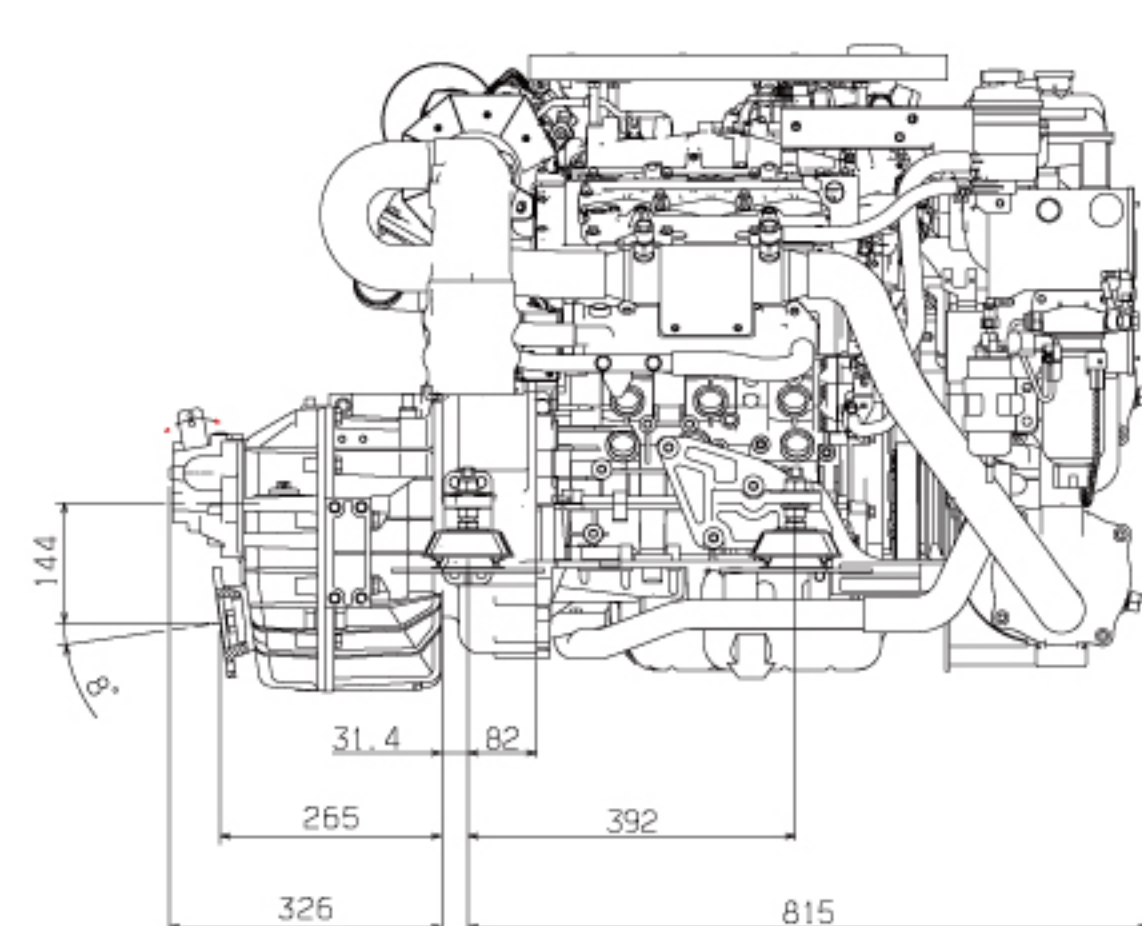
## Performance Curves



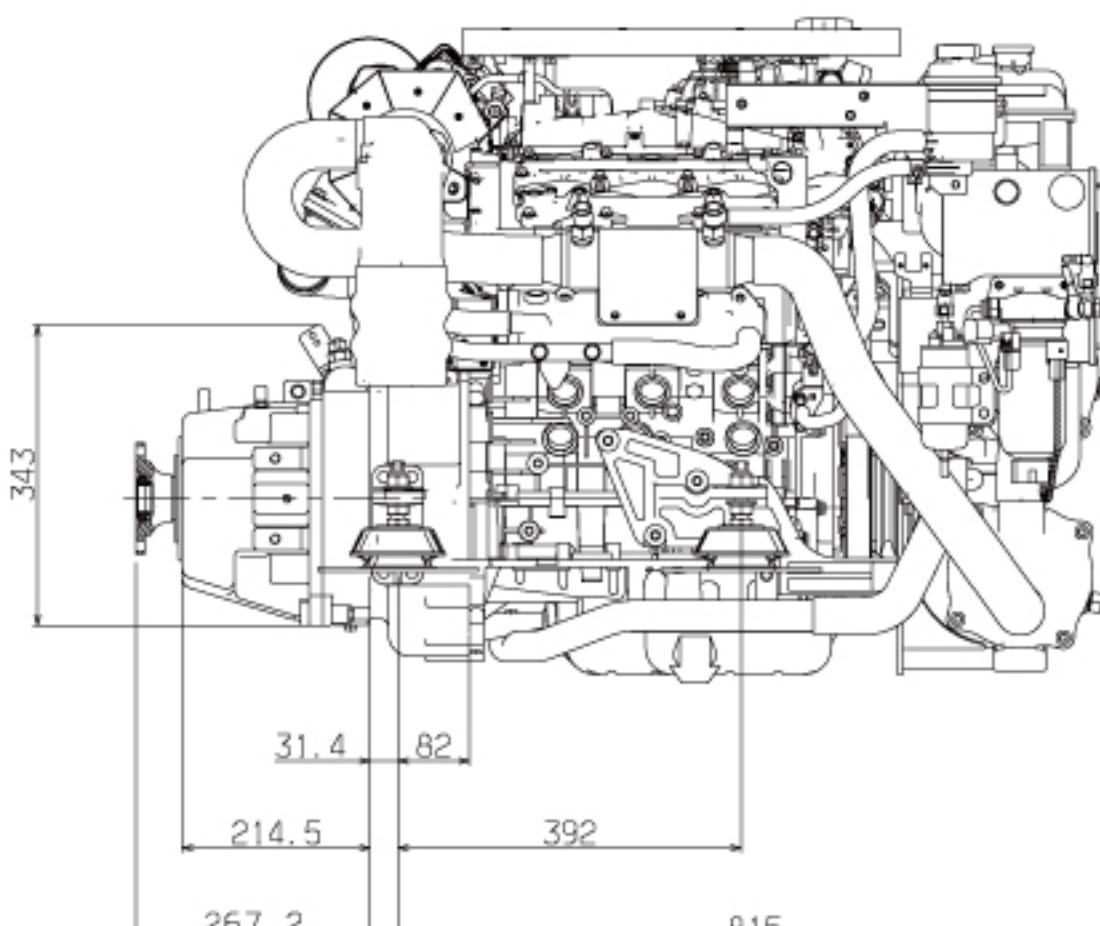
## Dimensions (mm)



S270S Bravo Three X Diesel



S270P ZF 63A



S270J ZF 63C